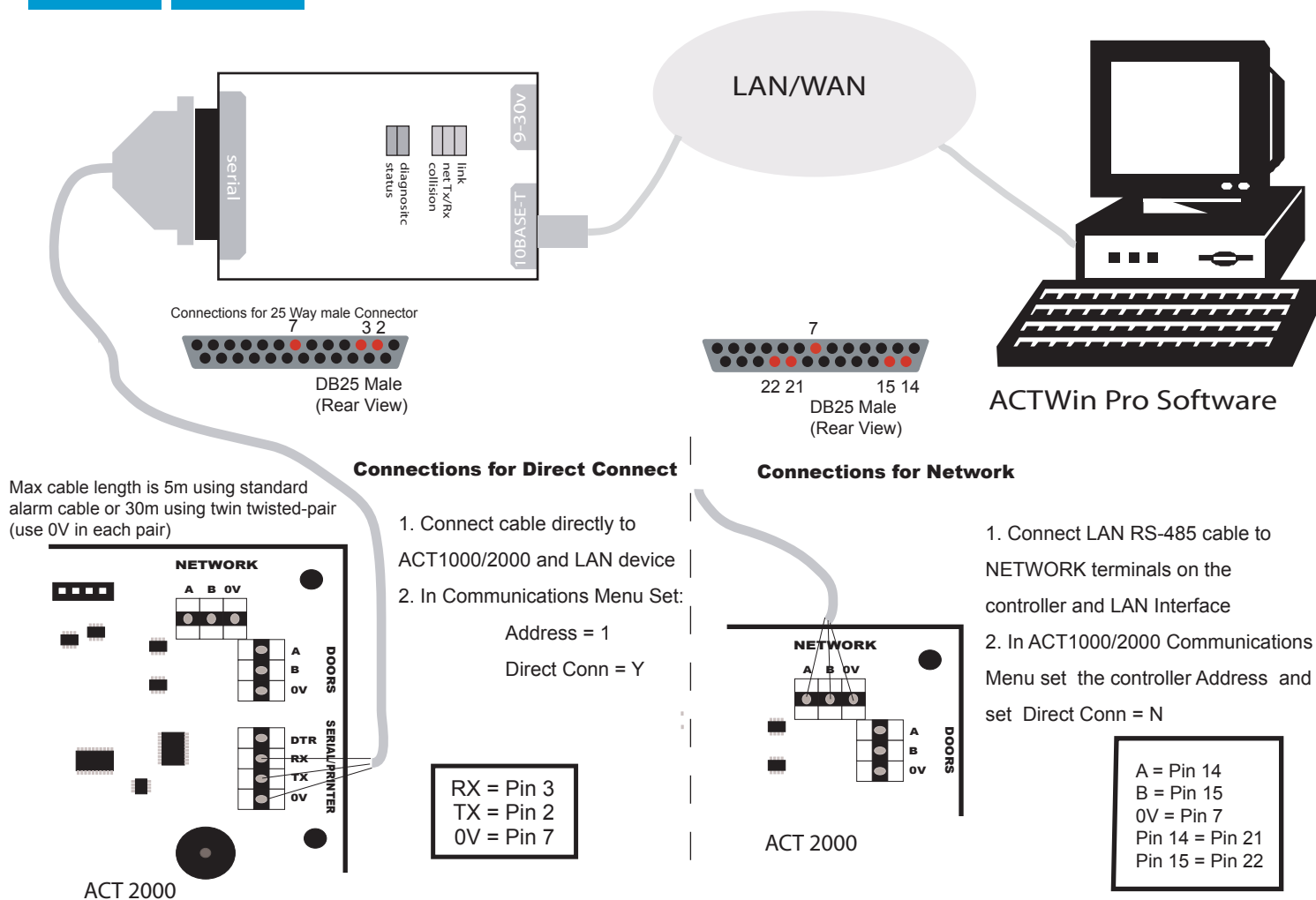




# ACTLAN Interface Configuration



## TCP/IP Configuration

1. Ask the network administrator to supply you with a permanent IP network address.
2. Connect a PC directly to the ACTLAN and run HyperTerminal at 9600 baud, no parity, 1 stop.
3. Power up the ACTLAN and **immediately** hit 3 lowercase "x" (xxx).
4. Hit the Enter key to go into Setup Mode.
5. Select 0 and follow the prompts until you get to IP address.
6. Enter the new IP address.
7. If the ACT controllers are on a different LAN segment to the ACTWin Pro PC, then a Gateway Address is required. Check with the network administrator for the IP address of the router.
8. A Netmask may also be required. Check with the network administrator.
9. Follow the prompts to come back to the Setup Menu.
10. Select 1 to configure the RS232 channel.
11. Set up the following parameters as follows:
 

Baud Rate	9600	I/F Mode		4C for Direct
Flow			00	Port
Connect Mode	C0	Disconnect Mode	00	
Flush Mode	80	Pack Control		00
Remote IP Address	none			
12. Return to the Setup Menu and select 9 to save the settings.
13. Finally test the setup by connecting to the IP address using a Web browser or 'Pinging'.
14. From ACTWin Pro, enter the new IP address into the location manager for the site.



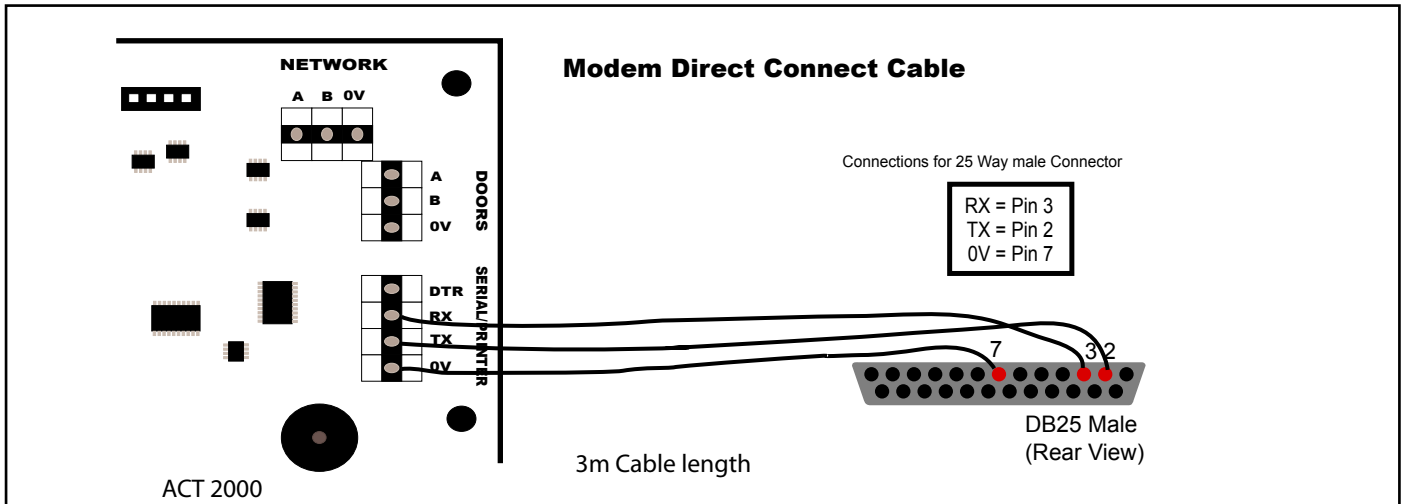


# ACT LAN Manufacturing Instructions

Issue 3 - 8 March 2004

## Instructions

1. Insert ACTLAN Interface Configuration Sheet (18-00026) inside Box
2. Insert Modem Direct Connect Cable and LAN RS-485 Cable (see below) inside Box
3. Insert 9-way to 25-way serial cable (ACT Part num 44-0005)
3. Seal Box and place ACT LAN Sticker outside



### LAN RS-485 Cable

