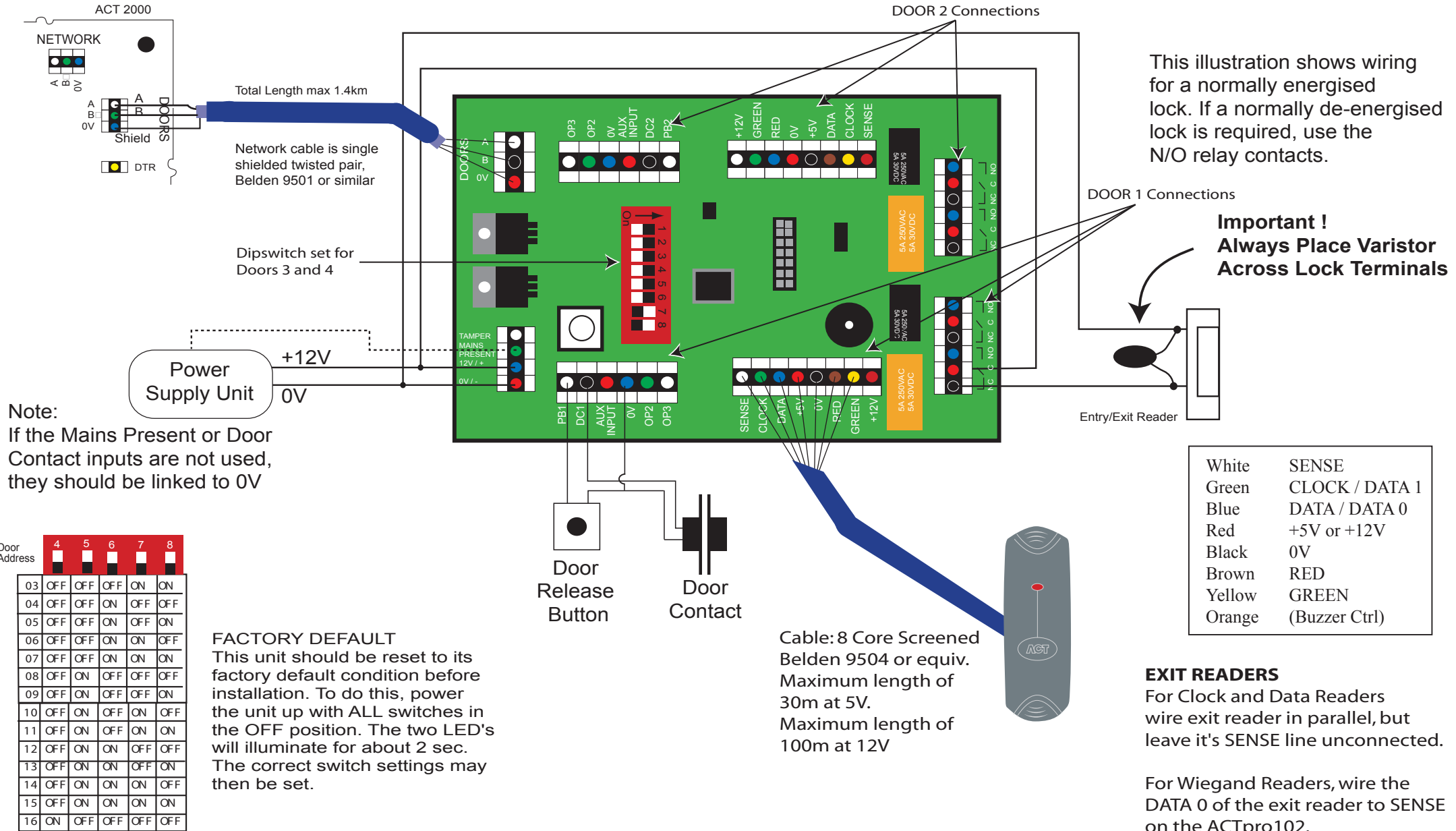




# ACTpro102 Door Station Installation

## 2 Door Controller



**Note:**  
If the Mains Present or Door Contact inputs are not used, they should be linked to 0V

**FACTORY DEFAULT**  
This unit should be reset to its factory default condition before installation. To do this, power the unit up with ALL switches in the OFF position. The two LED's will illuminate for about 2 sec. The correct switch settings may then be set.

Example:  
When the dipswitch is set to 3, Door 1 is set to Address 3 and Door 2 is set to Address 4.  
When the dipswitch is set to 4, Door 1 is set to Address 4 and Door 2 is set to Address 5.